

# Marine Radar System

4KW, 36Miles  
10.4" LCD COLOR SCREEN MARINE RADAR "SMR"

## SMR-3600

The advanced high-performance Radar in 4KW grade leads to safe navigation at sea.

- Complete sealed case ensures water, heat resistance and external impact.
- Apply for large and medium sized workboats, fishing and commercial vessels.



SMR-3600



# 10.4" LCD COLOR SCREEN MARINE RADAR "SMR"

## SMR-3600

SAMYUNG ENC has tried to do their best to bring customers high reliability and performance with various Marine Electronics Products. SAMYUNG ENC is now introducing SMR-3600 RADAR that conforms to related rule and regulation, which adopts 10.4" high resolution raster scanning system that enables clear and easy-to-view display.

### FEATURES

- ★ Head up / North up / Course up
- ★ Form 0.125 mile to 36 miles Zoom getting into quick target detection
- ★ Use of solid aluminium Die Castings
- ★ Alarm on Guard Zone
- ★ Off-centering function
- ★ Own ship's position and Waypoint Display
- Adopted 10.4" TFT Color LCD.
- Built in high-speed CPU : indicate target quickly & accurately.
- Able to choose brightness of color in 10 levels for navigation at night.
- Can choose the PPI screen color within white, yellow, green.
- Adopted 8 directions key to make cursor move with speed.
- Can set up the range in many ways the user needed.
- Intermittent Tx mode : can operate with low electric consumption.
- Can move screen center point and observe the long distance of the desired direction.
- Display parallel line : Can maintain certain distance between other vessel.
- Setting-up warning zone for invasion and separation in various method.

### SPECIFICATIONS

#### ■ ANTENNA

- Type : dome-type antenna
- Output power : 4KW
- Tx frequency : 9410±30MHz
- Revolution : approx. 24rpm
- Beam width : Horizontal 4.0°  
Vertical 25°
- Synchronism method : Automatic / Manual switch over
- Operation temperature : -25°C ~ +55°C
- Relative humidity : 35% ~ 95%
- Relative wind velocity : 51.5 m/sec(100 Knots)



- Consumption power : 60W
- Power supply : DC +10V ~ +36V

#### ■ DISPLAY UNIT

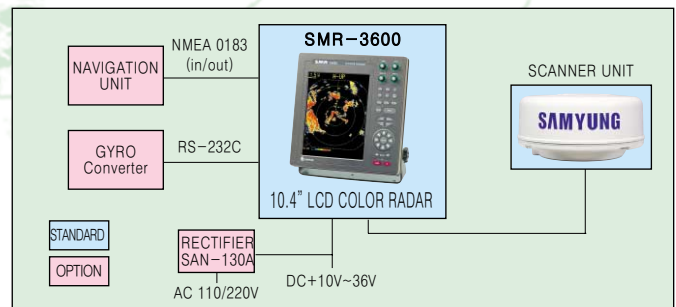
- Display unit : 10.4" Color VGA TFT LCD, Vertical display
- Resolution : 640×480
- Indication type : scan type
- Distance range : 0.125, 0.25, 0.5, 0.75, 1.5, 3, 6, 12, 24, 36nm
- Minimum distance : within 25m
- Azimuth accuracy : within ± 1°
- Azimuth resolving power : 4.2°
- VRM : .000 ~ 64 NM display in digital
- EBL : 000° ~ 359° display in digital
- Indication of bow : electronic type
- Display mode : head-up, north-up, course-up
- Operation temperature : -15°C ~ +55°C
- Pre-heat time : approx. 90 sec.
- Input data : SAMYUNG, NMEA 0183, FURUNO(CIF), JRC, GYRO Converter(RS-232C)

### COMPONENTS

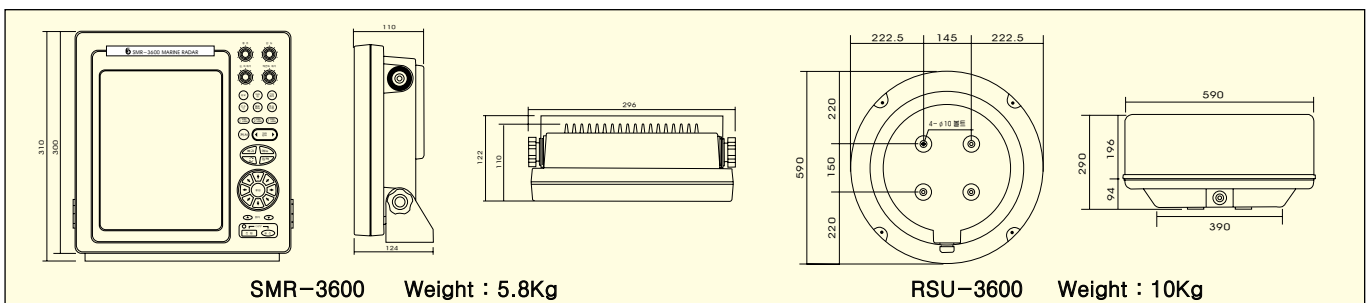
#### ■ BASIC COMPONENT

- Display unit (SMR-3600) 1SET
- Antenna (RSU-3600) 1SET
- Installation materials, spare parts, instruction manual 1LOT (each)

### CONFIGURATION



### DIMENSIONS



\* Specification is subject to change without pre-notice

**SAMYUNG ENC Co.,Ltd.**

Head Office : 1123-17, Dongsam-Dong, Youngdo-Gu, Busan, Korea, 606-083  
 Tel : 82-51-601-5532(Rep.) Fax : 82-51-413-4446  
 A/S Center : 65-20, 2-Ga Namhang-Dong, Yungdo-Gu, Busan, Korea, 606-032  
 Tel : 82-51-601-5570~4(Rep.) Fax : 82-51-416-5515  
 Http : //www.samyungenc.com



ISO 9001:2000 / KS A 9001:2001  
 Certificate No. : RQM0645



KOSDAQ Listed Company